

User Name:	PI/Lab:	Session Date:	Morning Afternoon All day
Sample:	Vitrobot date:		
Dewar & storage tube name:		<input type="checkbox"/> Screen	<input type="checkbox"/> Data collection

STAFF ONLY

Grid Box Name:	
4	1
3	2

Auto-Grid Box Name:	
	1
	2
	3
	4

Grid Box Name:	

Auto-Grid Box Name:	
	1
	2
	3
	4

Grid Box Name:	

Auto-Grid Box Name:	
	1
	2
	3
	4

Total grids: _____
_____ grids need to clip

Total clipping: _____

Staff Sign: _____

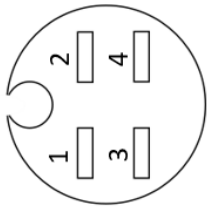
STAFF ONLY

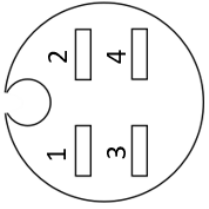
NTUCM Glacios Autogrids recycling and storage

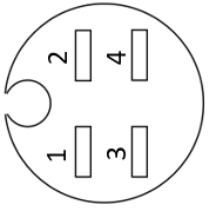
Slot of Cassette to be saved	
12	
11	
10	
9	
8	
7	
6	
5	
4	
3	
2	
1	

Total Saved: _____

Staff Sign: _____

Recycle Date:	
Storage tube name:	
Auto-Grid Box Name:	
	1
	2
	3
	4

Storage tube name:	
Auto-Grid Box Name:	
	1
	2
	3
	4

Storage tube name:	
Auto-Grid Box Name:	
	1
	2
	3
	4

STAFF ONLY

STAFF ONLY